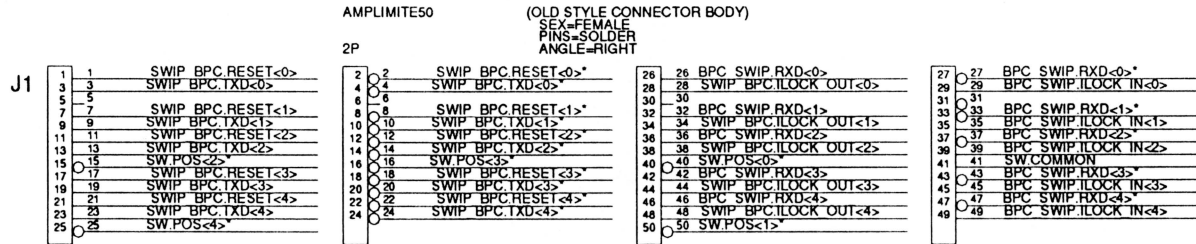
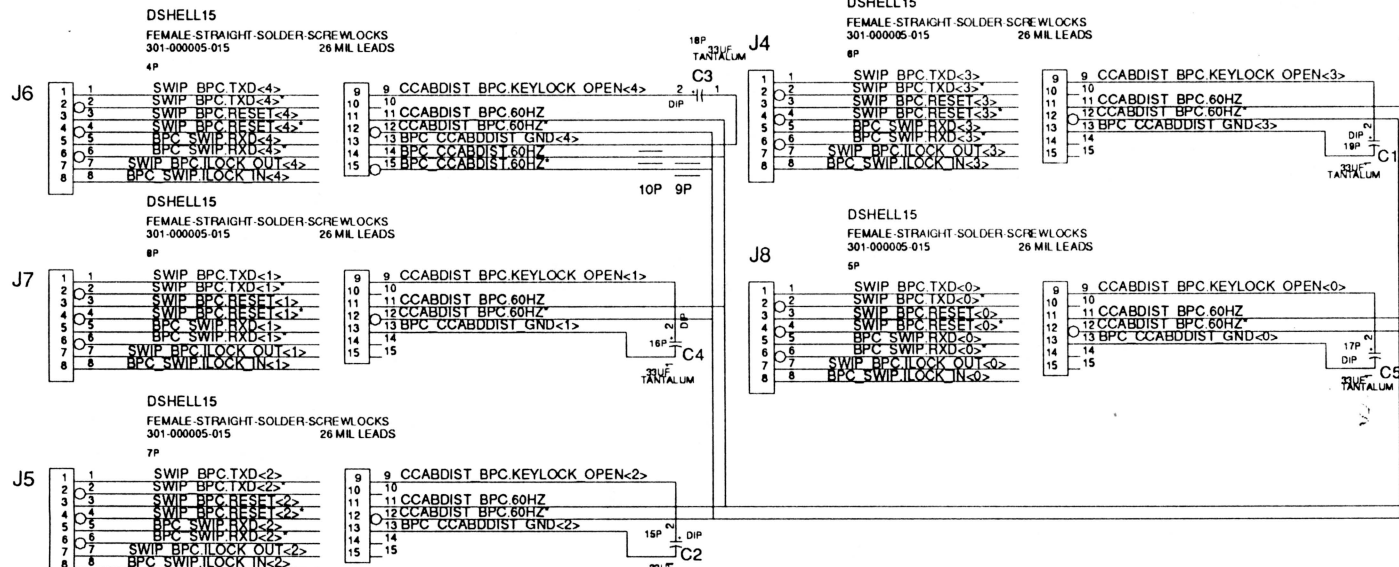


NWI CONNECTOR



BPC CONNECTORS



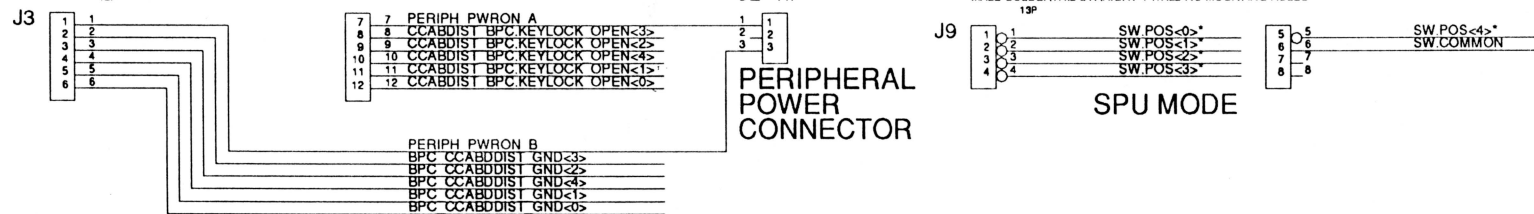
KEYLOCK CONNECTOR POWER

HDR12
301-000020-005
MALE-SOLDERTAIL-STRAIGHT-4 WALL
12P

KEYLOCK CONNECTOR SPU MODE

KEYLOCK CONNECTOR SPU MODE

HDR8
301-000020-007
MALE-SOLDERTAIL-STRAIGHT-4 WALL-NO MOUNTING HOLES
13P



THIS DOCUMENT CONTAINS INFORMATION PROPRIETARY TO CONVEX COMPUTER CORPORATION (CONVEX). USE OR DISCLOSURE WITHOUT THE WRITTEN PERMISSION OF AN OFFICER OF CONVEX IS EXPRESSLY FORBIDDEN. COPYRIGHT (C) CONVEX 1991

CONVEX DEFINE
X FIRST=0
X STEP=SIZE
DEF_MOUNT=DIP



TITLE: CCABDIST (CENTRAL CAB DISP BD)

DRAWING: 411-001293-300B REV 0.0

REVISED: Wed Jul 17 21:48:10 1991

ABBR: CCABDIST

ENGR: KIMMEL

PAGE: 1 OF 1

8 7 6 5 4 3 2 1

D

D

TABLE OF CONTENTS

SH 2 BPC CONNECTORS, SENSOR CONNECTORS, & POWER DECOUPLING.

SH 3 BP ID SHIFT REGISTERS, BUFFERS, AND BP CONNECTORS

C

C

B

B

A

A

THIS DOCUMENT CONTAINS INFORMATION PROPRIETARY TO CONVEX COMPUTER CORPORATION (CONVEX). USE OR DISCLOSURE WITHOUT THE WRITTEN PERMISSION OF AN OFFICER OF CONVEX IS EXPRESSLY FORBIDDEN. COPYRIGHT (C) CONVEX 1991

CONVEX DEFINE
X FIRST=0
X STEP=SIZE
DEF_MOUNT=DIP



CONVEX

TITLE: OCABDIST_LEFT (OUTER CAB DIST BD)

ABBR: OCABDIST_LEFT

DRAWING: 411-001320-300A REV 0.0

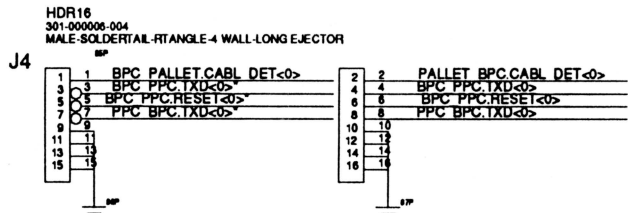
ENGR: KIMMEL

REVISED: Fri Mar 8 09:35:16 1991

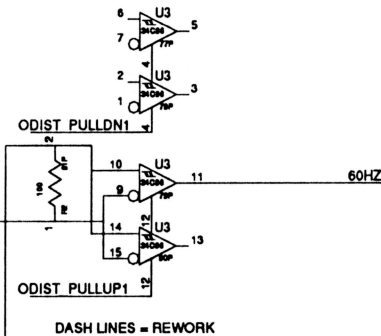
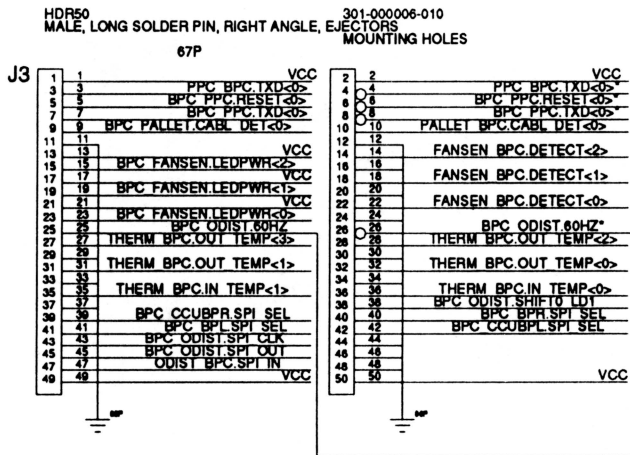
PAGE: 1 OF 3

8 7 6 3 2 1

**BPC CONNECTOR
FROM OCABDIST_FRONT**

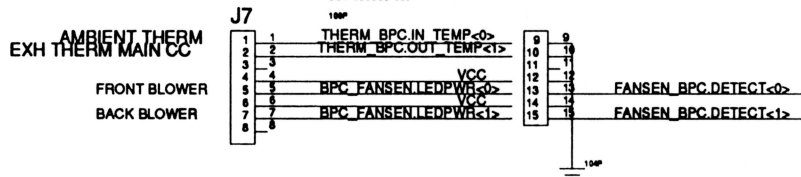


**BPC CONNECTOR
TEMP/FANS/PPC CONNECTIONS**



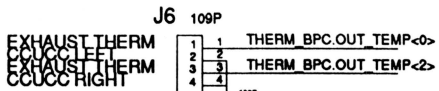
**MAIN CC BAY
THERM AND AIR SENSORS**

DSHELL15
FEMALE RT ANGLE-SOLDER SCREWLOCKS
301-000005-007



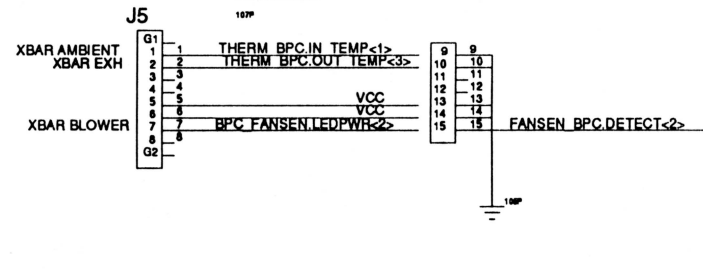
**CCU CC BAY
THERM SENSORS**

UNIVERSAL MATENLOK
4 PIN RT ANGLE, SINGLE ROW
301-000002-006



**CENTRAL CABINET
THERM AND AIR SENSORS**

DSHELL15
MALE-RT ANGLE-SOLDER-MTL-SHELL-GNDSTRAP
301-000049-002



THIS DOCUMENT CONTAINS INFORMATION PROPRIETARY
TO CONVEX COMPUTER CORPORATION (CONVEX).
USE OR DISCLOSURE WITHOUT THE WRITTEN PERMISSION OF
AN OFFICER OF CONVEX IS EXPRESSLY FORBIDDEN.
COPYRIGHT (C) CONVEX 1991



TITLE: OCABDIST_LEFT (OUTER CAB DIST BD)

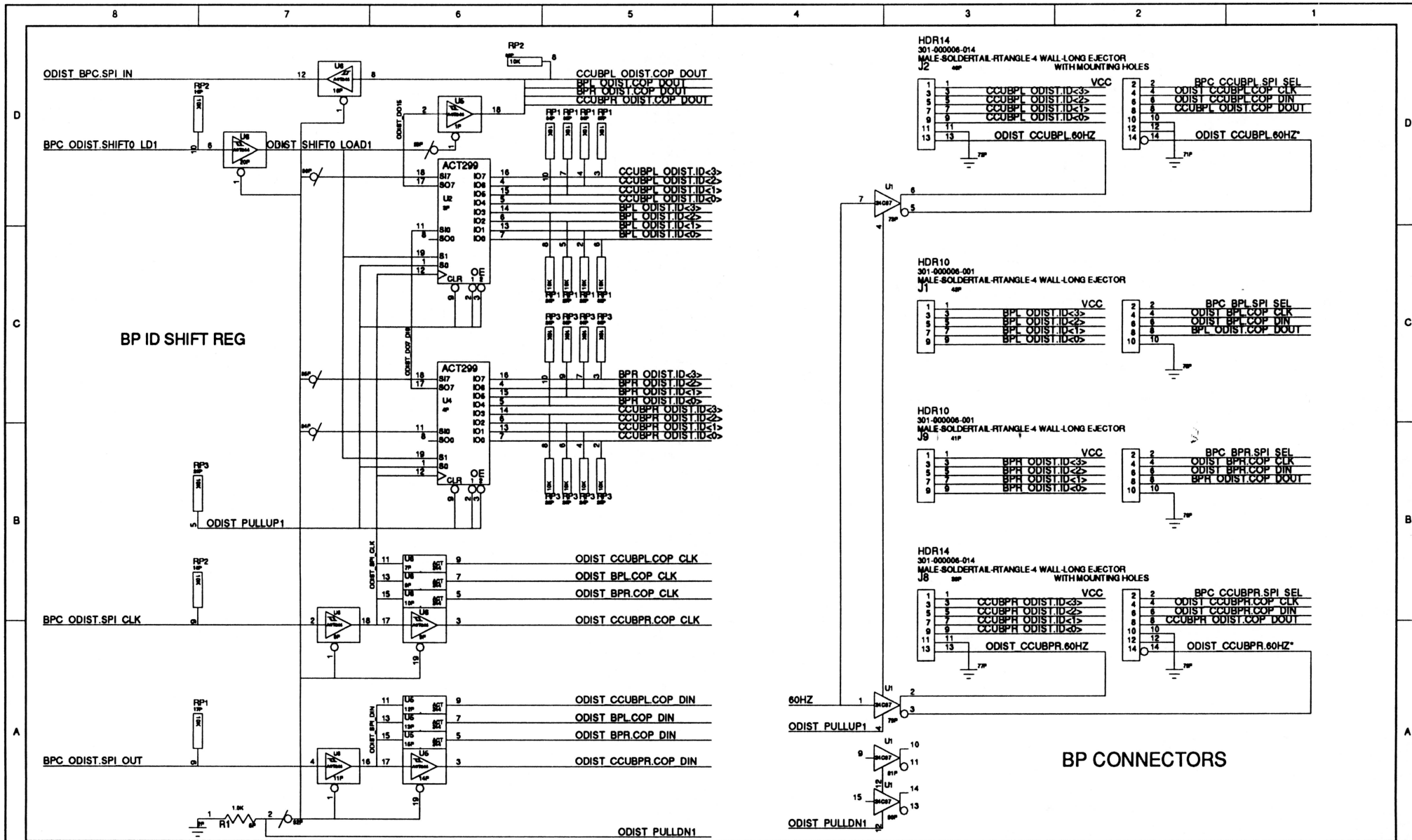
DRAWING: 411-001320-300A REV 0.0

REVISED: Wed Jul 17 14:45:59 1991

ABBR: OCABDIST_LEFT

ENGR: KIMMEL

PAGE: 2 OF 3



THIS DOCUMENT CONTAINS INFORMATION PROPRIETARY TO CONVEX COMPUTER CORPORATION (CONVEX). USE OR DISCLOSURE WITHOUT THE WRITTEN PERMISSION OF AN OFFICER OF CONVEX IS EXPRESSLY FORBIDDEN. COPYRIGHT (C) CONVEX 1991

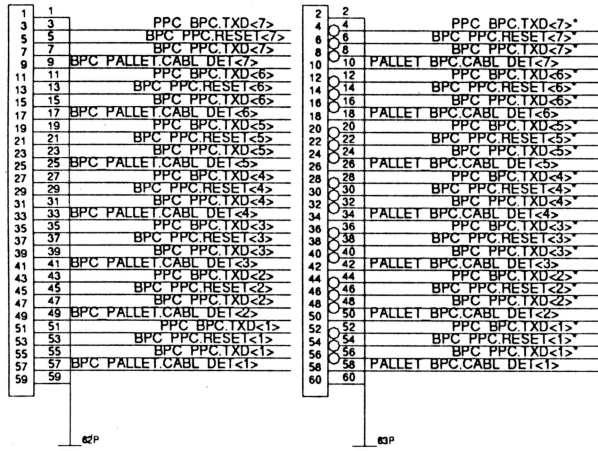


TITLE: OCABDIST_LEFT (OUTER CAB DIST BD)		ABBR: OCABDIST_LEFT
DRAWING: 411-001320-300A REV 0.0		ENGR: KIMMEL
REVISED: Wed Jul 17 21:49:49 1991	PAGE: 3 OF 3	

BPC CONNECTOR PPC CONNECTIONS

HDR60 301-000018-006
MALE,SOLDER,STRAIGHT, LONG EJECTORS

J10



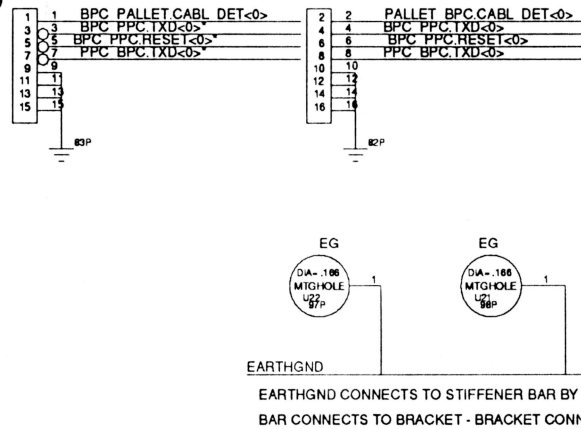
PALLET CONNECTORS BPC/PPC COMM

BPC CONNECTOR FROM OCABDIST_LEFT

HDR16

301-000006-004
MALE-SOLDER-TAIL-RTANGLE-4 WALL LONG EJECTOR

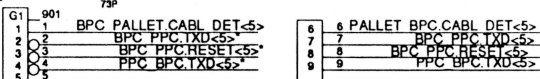
J9



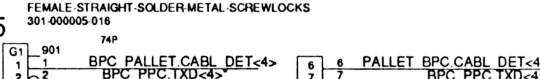
PALLET CONNECTORS BPC/PPC COMM

DSHELL9
FEMALE STRAIGHT-SOLDER METAL SCREWLOCKS
301-000005-016

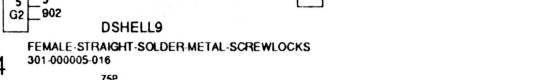
J6



J5

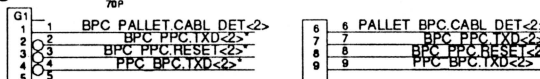


J4

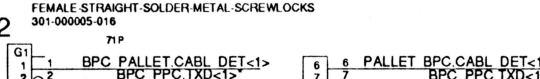


DSHELL9
FEMALE STRAIGHT-SOLDER METAL SCREWLOCKS
301-000005-016

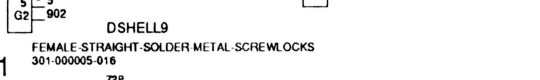
J3



J2

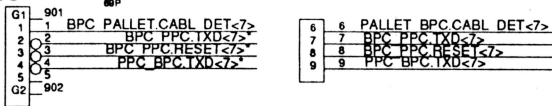


J1

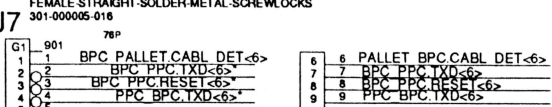


DSHELL9
FEMALE STRAIGHT-SOLDER METAL SCREWLOCKS
301-000005-016

J8



J7



THIS DOCUMENT CONTAINS INFORMATION PROPRIETARY
TO CONVEX COMPUTER CORPORATION (CONVEX).
USE OR DISCLOSURE WITHOUT THE WRITTEN PERMISSION OF
AN OFFICER OF CONVEX IS EXPRESSLY FORBIDDEN.
COPYRIGHT (C) CONVEX 1991

CONVEX DEFINE
X FIRST-0
X STEP-SIZE
DEF_MOUNT-DIP



TITLE: OCABDIST_FRONT (OUTER CAB DIST BD)

DRAWING: 411-001319-300A REV 0.0

REVISED: Mon Aug 5 17:34:04 1991

PAGE: 1 OF 1

ABBR: OCABDIST_FRONT

ENGR: KIMMEL

8

7

6

3

2

1